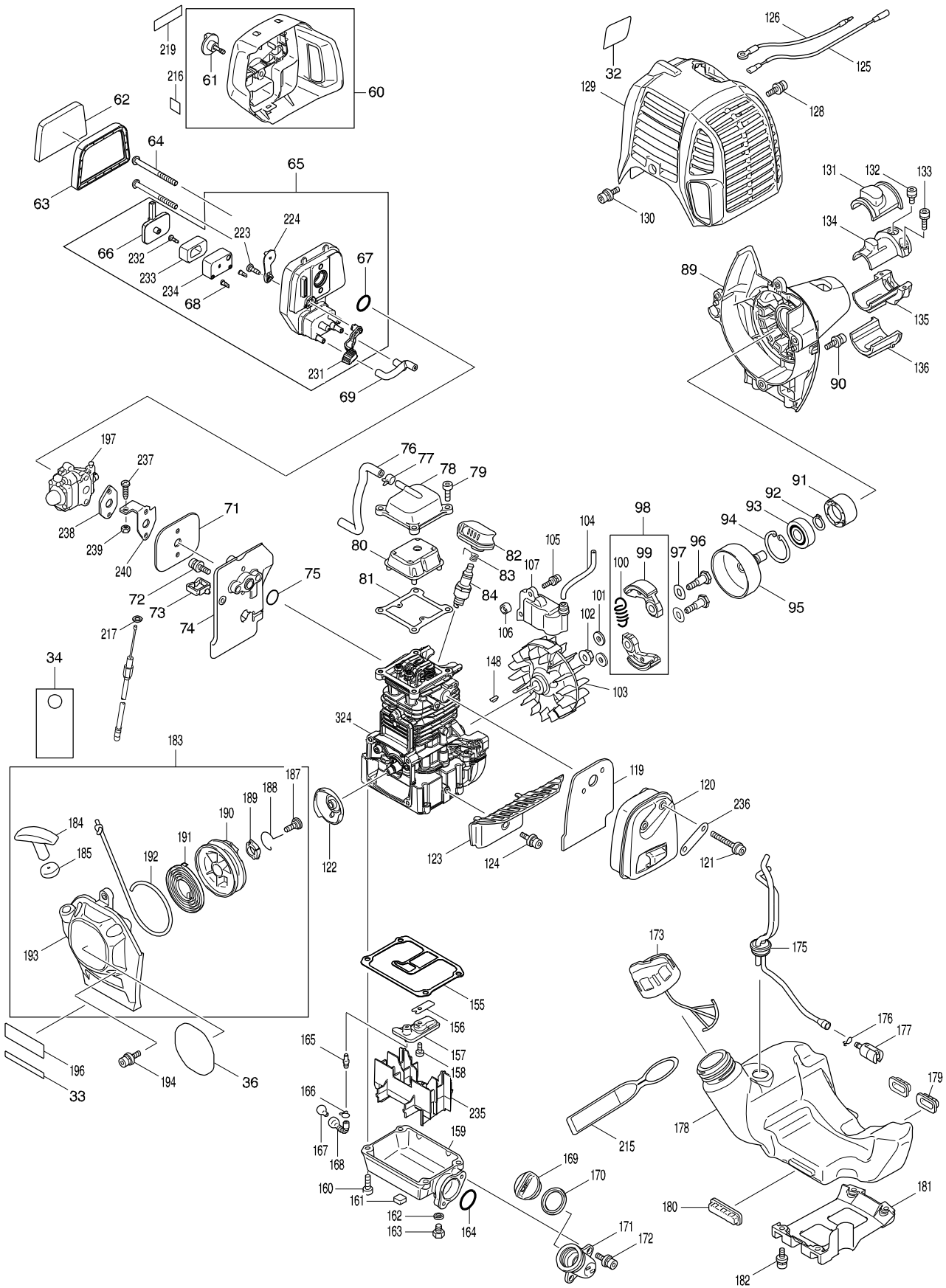
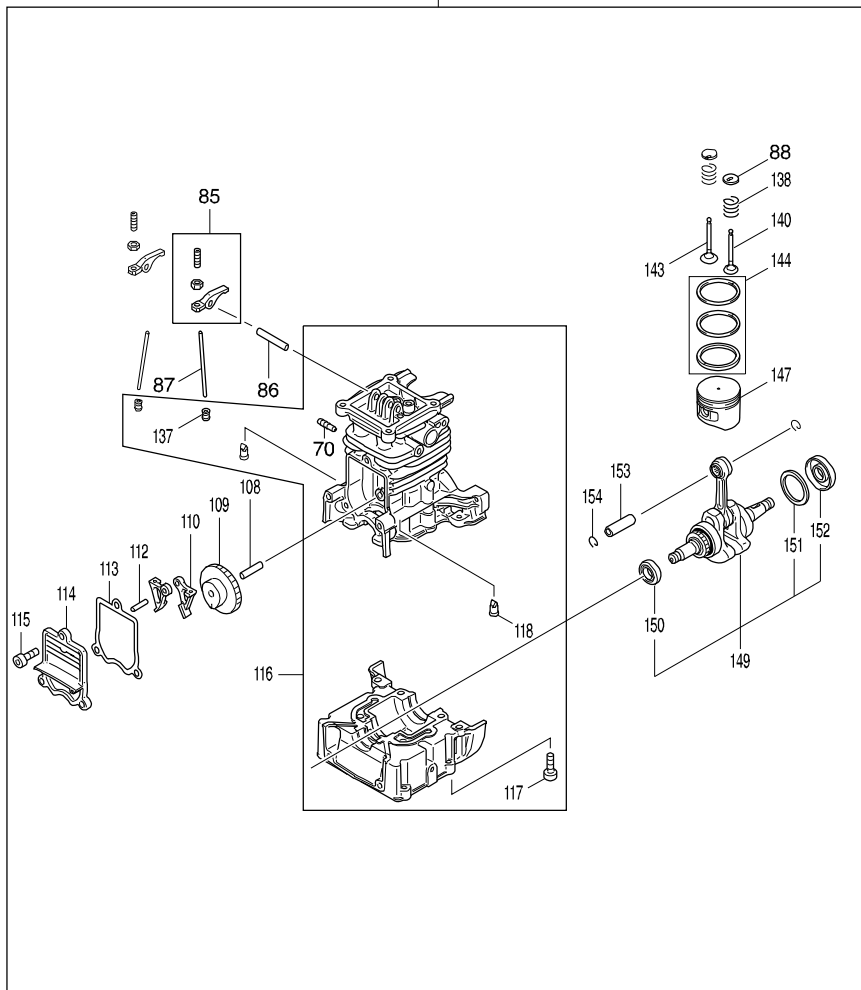


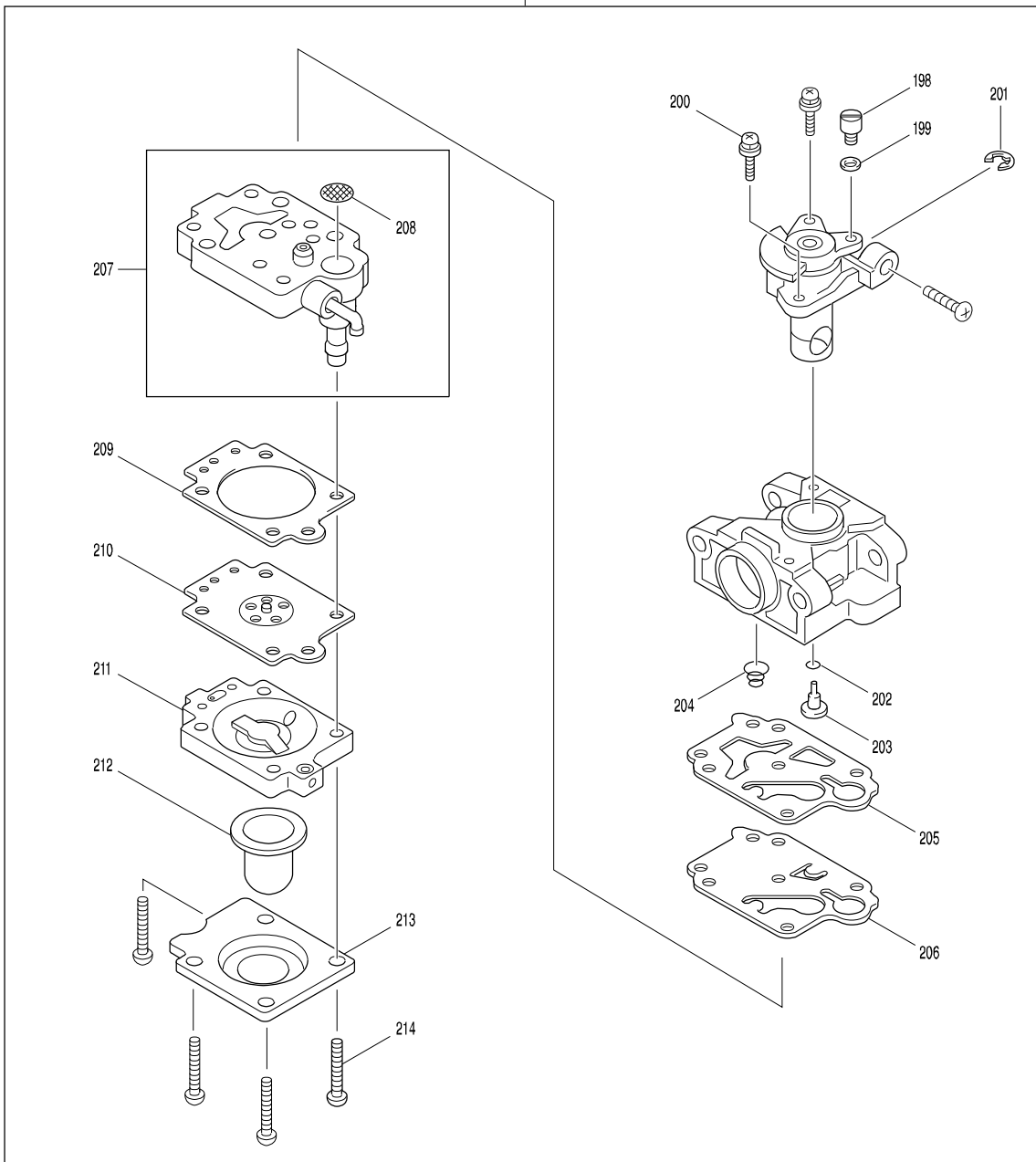
38

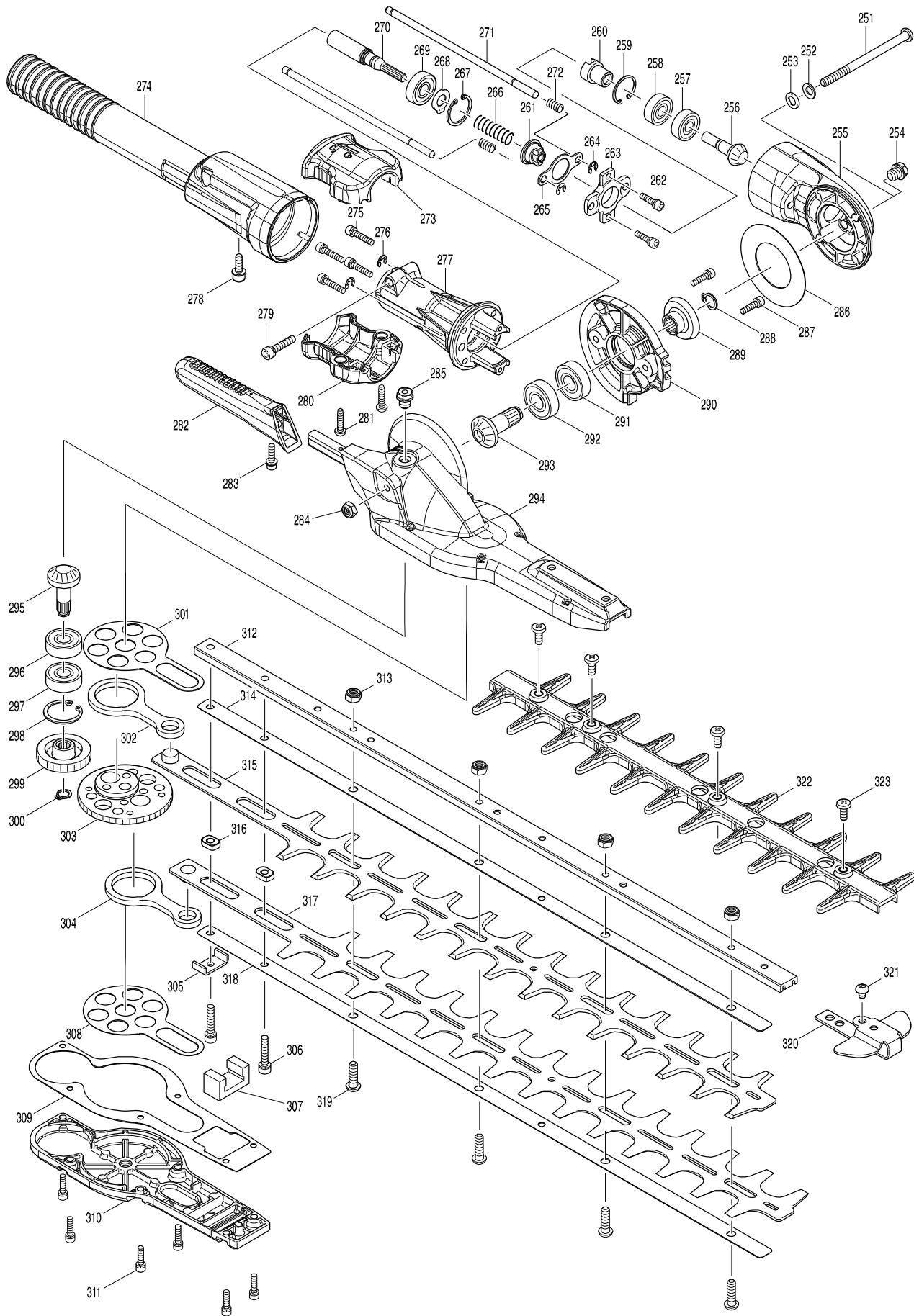


324



197





Item No.	Type	Sub	Part No.	Description	Qty	Unit
002			454270-7	BAND	2	PC.
003			326530-6	SHAFT	1	PC.
004			195143-2	HANGER SET	1	PC.
		INC.		Item No. 5		
005			911233-1	PAN HEAD SCREW M5X20	1	PC.
006			143233-5	PIPE COMPLETE C	1	PC.
		INC.		Item No. 219		
007			273531-4	STRAIGHT GRIP F/ HEDGE TRIMMER	1	PC.
008			893670-0	MAKITA LOGO LABEL	1	PC.
009			814E64-6	SERIAL NO. LABEL	1	PC.
010			911148-2	PAN HEAD SCREW M4X25	2	PC.
033			816567-6	SERIAL NO. LABEL	1	PC.
034			819432-8	CAUTION TAG (10 LANGUAGES)	1	PC.
036			806G66-8	MODEL NO. LABEL F/ EN4951SH	1	PC.
038			126488-7	CONTROL LEVER ASSEMBLY	1	PC.
		INC.		Item No. 39-55		
039			266130-9	TAPPING SCREW BIND PT 3X16	1	PC.
040			451595-0	SWITCH COVER	1	PC.
041			451594-2	SWITCH LEVER	1	PC.
042			232251-9	LEAF SPRING	1	PC.
043			188832-6	LEVER CASE SET	1	PC.
		INC.		Item No. 55		
044			346248-3	CLAMP 24	2	PC.
045			922218-2	H.S.H.BOLT M5X14 WITH WR	2	PC.
046			451593-4	LOCK LEVER	1	PC.
047			233541-3	TORSION SPRING 7	1	PC.
048			168571-4	CONTROL CABLE	1	PC.
049			233540-5	TORSION SPRING 11	1	PC.
050			455313-8	THROTTLE LEVER	1	PC.
051			638714-7	LEAD UNIT	1	PC.
052			638713-9	LEAD UNIT	1	PC.
053			452071-7	CORRUGATE TUBE	1	PC.
054			266326-2	TAPPING SCREW 4X18	4	PC.
055			188832-6	LEVER CASE SET	1	PC.
		INC.		Item No. 43		
060			123499-3	CLEANER COVER ASSEMBLY	1	PC.
		INC.		Item No. 61		
061			265791-2	THUMB SCREW M4	1	PC.
062			443171-4	AIR CLEANER ELEMENT	1	PC.
063			443169-1	AIR CLEANER ELEMENT	1	PC.
064			266871-7	H.S.BUTTON HEAD BOLT M5X60	2	PC.
065			123501-2	CLEANER PLATE ASSEMBLY	1	PC.
		INC.		Item No. 66-68,223,224,231-234		
066			162346-3	SEPARATOR PLATE	1	PC.
067			213540-1	O RING 15	1	PC.
068			424316-3	CHECK VALVE	2	PC.
069			422099-9	PIPE	1	PC.
070			325665-0	JOINT PIPE	1	PC.
071			442153-3	CARBURETOR GASKET	1	PC.
072			266787-6	H.S.H.BOLT M5X18 WITH WR	2	PC.
073			451825-9	CLAMP	1	PC.
074			451729-5	INSULATOR	1	PC.
075			213547-7	O-RING 12	1	PC.
076			422109-2	BREATHER PIPE	1	PC.
077			345918-1	HOSE CLAMP	1	PC.
078			318745-9	ROCKER COVER OUTER	1	PC.
079			922222-1	HEX. SOCKET HEAD BOLT M5X16	4	PC.

Item No.	Type	Sub	Part No.	Description	Qty	Unit
080			453860-3	ROCKER COVER INNER	1	PC.
081			162304-9	ROCKER COVER GASKET	1	PC.
082			424302-4	PLUG CAP	1	PC.
083			324891-8	PLUG CAP SPRING	1	PC.
084			168534-0	SPARK PLUG	1	PC.
085			125554-7	ROCKER ARM ASSEMBLY	2	PC.
086			256200-2	PIN 5	1	PC.
087			256865-0	ROD 2.5	2	PC.
088			325668-4	SPRING RETAINER	2	PC.
089			451735-0	CLUTCH CASE	1	PC.
090			922228-9	H.S.H.BOLT M5X18 WITH WR	3	PC.
091			450569-8	SPACER	1	PC.
092			961052-5	RETAINING RING S-12	1	PC.
093			210111-5	BALL BEARING 6201LLU	1	PC.
094			962151-6	RETAINING RING R-32	1	PC.
095			161588-6	CLUTCH DRUM COMPLETE	1	PC.
096			266864-4	SHOULDER HEX. BOLT M6X25	2	PC.
097			267817-6	WASHER 8	2	PC.
098			126135-0	CLUTCH ASSEMBLY	1	PC.
		INC.		Item No. 99,100		
099			161332-1	CLUTCH SHOE	2	PC.
100			231881-3	TENSION SPRING 7	1	PC.
101			267812-6	WASHER 6	2	PC.
102			264039-9	CONED DISK SPRING HEXNUT M8-13	1	PC.
103			318569-3	FLYWHEEL	1	PC.
104			444021-6	TUBE	1	PC.
105			266602-4	HEX. SOCKET HEAD BOLT M4X20	2	PC.
106			452049-0	SPACER	2	PC.
107			168559-4	IGNITION COIL	1	PC.
108			268238-5	PIN 5	1	PC.
109			125552-1	CAM GEAR ASSEMBLY	1	PC.
110			313169-4	CAM LIFTER	2	PC.
112			268239-3	PIN 4	1	PC.
113			162274-2	CAM GEAR COVER GASKET	1	PC.
114			318443-5	CAM GEAR COVER	1	PC.
115			922222-1	HEX. SOCKET HEAD BOLT M5X16	3	PC.
116			135478-9	CYLINDER BLOCK ASSEMBLY	1	PC.
		INC.		Item No. 70,117,118,137		
117			922222-1	HEX. SOCKET HEAD BOLT M5X16	6	PC.
118			424201-0	CHECK VALVE	2	PC.
119			346331-6	MUFFLER GASKET	1	PC.
120			168554-4	EXHAUST MUFFLER	1	PC.
121			266440-4	HEX SOCKET HEAD BOLT M5X40	2	PC.
122			168483-1	PULLEY	1	PC.
123			451731-8	MUFFLER PLATE	1	PC.
124			922218-2	H.S.H.BOLT M5X14 WITH WR	1	PC.
125			638707-4	LEAD UNIT	1	PC.
126			638708-2	LEAD UNIT	1	PC.
128			922218-2	H.S.H.BOLT M5X14 WITH WR	1	PC.
129			453266-5	CYLINDER COVER	1	PC.
130			922218-2	H.S.H.BOLT M5X14 WITH WR	1	PC.
131			424082-2	BUFFER RUBBER	1	PC.
132			922211-6	HEX. SOCKET HEAD BOLT M5X12	1	PC.
133			922226-3	HEX. SOCKET HEAD BOLT M5X18	2	PC.
134			318249-1	PIPE HOLDER	1	PC.
135			318250-6	PIPE HOLDER	1	PC.
136			424083-0	BUFFER RUBBER	1	PC.
137			424200-2	SPACER	2	PC.

Item No.	Type	Sub	Part No.	Description	Qty	Unit
138			234108-0	COMPRESSION SPRING 9	2	PC.
140			326366-3	EXHAUST VALVE	1	PC.
143			326367-1	INTAKE VALVE	1	PC.
144			195145-8	PISTON RING SET	1	PC.
147			318441-9	PISTON	1	PC.
148			254040-2	WOODRUFF KEY 3	1	PC.
149			123774-7	CRANK SHAFT ASSEMBLY	1	PC.
		INC.		Item No. 150-152		
150			213769-9	OIL SEAL 10	1	PC.
151			267400-9	FLAT WASHER 23	1	PC.
152			213089-1	OIL SEAL 12	1	PC.
153			257781-9	PISTON PIN	1	PC.
154			233976-8	CLIP	2	PC.
155			162345-5	OIL CASE GASKET	1	PC.
156			346083-9	LEAD VALVE	1	PC.
157			318910-0	RETAINER PLATE	1	PC.
158			922112-8	HEX. SOCKET HEAD BOLT M4X10	1	PC.
159			318588-9	OIL CASE	1	PC.
160			922222-1	HEX. SOCKET HEAD BOLT M5X16	4	PC.
161			424344-8	DAMPER	1	PC.
162			346305-7	GASKET	1	PC.
163			266611-3	HEX BOLT M6X8	1	PC.
164			213548-5	O-RING 20	1	PC.
165			325665-0	JOINT PIPE	1	PC.
166			282020-8	HOSE CLAMP	1	PC.
167			325666-8	OIL WEIGHT	1	PC.
168	2		125805-8	OIL TUBE ASSEMBLY	1	PC.
		INC.	424301-6	OIL TUBE	1	PC.
		INC.		Item No. 166,167		
169			452047-4	OIL CAP	1	PC.
170			424343-0	GASKET	1	PC.
171			452048-2	OIL PIPE	1	PC.
172			922218-2	H.S.H.BOLT M5X14 WITH WR	2	PC.
173			125728-0	FUEL TANK CAP ASSEMBLY	1	PC.
175			168775-8	TUBE COMPLETE	1	PC.
176			282020-8	HOSE CLAMP	1	PC.
177			163518-3	GASOLINE FILTER	1	PC.
178	1		454010-3	FUEL TANK	1	PC.
178	2		123419-7	FUEL TANK ASSEMBLY	1	PC.
		INC.		Item No. 173,175-177		
179			424080-6	BUFFER RUBBER	2	PC.
180			424081-4	BUFFER RUBBER	1	PC.
181			451737-6	TANK GUARD	1	PC.
182			922218-2	H.S.H.BOLT M5X14 WITH WR	4	PC.
183			125752-3	RECOIL STARTER ASSEMBLY	1	PC.
		INC.		Item No. 184,185,187-193		
184			424319-7	STARTER KNOB	1	PC.
185			424359-5	DAMPER	1	PC.
187			266585-8	TAPPING SCREW 5X12	1	PC.
188			325923-4	SWING ARM	1	PC.
189			451938-6	COLLAR	1	PC.
190			451937-8	REEL	1	PC.
191			232258-5	SPIRAL SPRING	1	PC.
192			444023-2	STARTER ROPE	1	PC.
193			451733-4	STARTER CASE	1	PC.
194			922223-9	H.S.H.BOLT M5X16 WITH WR	4	PC.
197			168762-7	CARBURETOR	1	PC.
		INC.		Item No. 198-207,209-214		

Item No.	Type	Sub	Part No.	Description	Qty	Unit
198			325922-6	SWIVEL	1	PC.
199			413140-9	WASHER	1	PC.
200	1		266581-6	PAN HEAD SCREW M3X8 WITH W	2	PC.
	2		WJ00096364	SCREW M3X8 WITH WASHER	2	PC.
201			257964-1	STOP RING E-3	1	PC.
202			213538-8	O RING 2	1	PC.
203			325985-2	JET	1	PC.
204			234183-6	CONICAL COMPRESSION SPRING 5-9	1	PC.
205			442155-9	PUMP GASKET	1	PC.
206			WJ00009599	PUMP DIAPHRAGM	1	PC.
207			141737-1	PUMP BODY	1	PC.
		INC.		Item No. 208		
208			352021-1	INLET SCREEN	1	PC.
209			442154-1	METERING DIAPHRAGM GASKET	1	PC.
210			168620-7	METERING DIAPHRAGM	1	PC.
211			140438-8	AIR PURGE BODY	1	PC.
212			424314-7	PRIMER PUMP	1	PC.
213			346270-0	PRIMER PUMP COVER	1	PC.
214			266582-4	TAPPING SCREW 3X24	4	PC.
215			810455-9	CAUTION PLATE	1	PC.
216			800F73-7	INDICATION LABEL	1	PC.
217			941151-9	FLAT WASHER 6	1	PC.
218			443170-6	FELT	1	PC.
219			806J64-0	CAUTION LABEL	1	PC.
223			266427-6	TAPPING SCREW 4X12	1	PC.
224			452219-1	CHOKE PLATE	1	PC.
231			452220-6	CHOKE LEVER	1	PC.
232			266007-8	TAPPING SCREW BIND PT 3X10	1	PC.
233			352020-3	SEPARATOR MESH	1	PC.
234			453865-3	SEPARATOR CASE	1	PC.
235			453862-9	OIL CASE PLATE	1	PC.
236			346732-8	PLATE	1	PC.
237			266927-6	H.L. SOCKET HEAD BOLT M4X20	1	PC.
238			442199-9	GASKET	1	PC.
239			931102-0	HEX. NUT M4	1	PC.
240			346730-2	HOLDER	1	PC.
251			266817-3	H.S. BUTTON HEAD BOLT M6X85	1	PC.
252			232279-7	CONED DISC SPRING 6	1	PC.
253			941151-9	FLAT WASHER 6	1	PC.
254			266818-1	HEX. SOCKET HEX. BOLT M8X8	1	PC.
255			318969-7	JOINT	1	PC.
256			227604-5	SPIRAL BEVEL GEAR 9	1	PC.
257			211032-4	BALL BEARING 608ZZ	1	PC.
258			211032-4	BALL BEARING 608ZZ	1	PC.
259			962102-9	RETAINING RING R-22	1	PC.
260			310534-8	CAM A	1	PC.
261			310535-6	CAM B	1	PC.
262			922126-7	HEX. SOCKET HEAD BOLT M4X16	2	PC.
263			313254-3	HOLDER PLATE	1	PC.
264			961011-9	STOP RING E-4	2	PC.
265			346657-6	SLIDE PLATE	1	PC.
266			231297-2	COMPRESSION SPRING 9	1	PC.
267			962103-7	RETAINING RING R-24	1	PC.
268			961005-4	RETAINING RING S-9	1	PC.
269			210049-4	BALL BEARING 609ZZ	1	PC.
270			142000-5	SPINDLE COMPLETE	1	PC.
271			326812-6	ROD 5	2	PC.
272			233117-6	COMPRESSION SPRING 6	2	PC.

Item No.	Type	Sub	Part No.	Description	Qty	Unit
273			187575-7	SLIDE LEVER SET	1	PC.
		INC.		Item No. 280		
274			143232-7	COVER COMPLETE	1	PC.
		INC.	806J66-6	CAUTION LABEL	1	PC.
275			265493-0	HEX. SOCKET HEAD BOLT M4X20	4	PC.
276			961011-9	STOP RING E-4	2	PC.
277			318970-2	PIPE HOLDER	1	PC.
278			922223-9	H.S.H.BOLT M5X16 WITH WR	1	PC.
279			922241-7	HEX. SOCKET HEAD BOLT M5X25	1	PC.
280			187575-7	SLIDE LEVER SET	1	PC.
		INC.		Item No. 273		
281			265995-6	TAPPING SCREW 4X18	2	PC.
282			456369-4	GRIP F/HEDGE TRIMMER ASSY	1	PC.
283			911516-9	PAN HEAD SCREW M4X12	2	PC.
284			252190-7	HEX.LOCK NUT M6-10	1	PC.
285			266818-1	HEX. SOCKET HEX. BOLT M8X8	1	PC.
286			267467-7	FLAT WASHER 36	1	PC.
287			922126-7	HEX. SOCKET HEAD BOLT M4X16	2	PC.
288			961006-2	RETAINING RING S-10	1	PC.
289			227605-3	SPIRAL BEVEL GEAR 22	1	PC.
290			310533-0	ANGULAR PLATE	1	PC.
291			211148-5	BALL BEARING 6001ZZ	1	PC.
292			211148-5	BALL BEARING 6001ZZ	1	PC.
293			227606-1	SPIRAL BEVEL GEAR 11	1	PC.
294			143500-8	GEAR HOUSING COMPLETE	1	PC.
295			227607-9	SPIRAL BEVEL GEAR 12	1	PC.
296			211062-5	BALL BEARING 6000ZZ	1	PC.
297			211062-5	BALL BEARING 6000ZZ	1	PC.
298			962105-3	RETAINING RING R-26	1	PC.
299			227317-8	SPUR GEAR 24	1	PC.
300			961004-6	RETAINING RING S-8	1	PC.
301			346658-4	PLATE	1	PC.
302			346251-4	CONNECTING ROD	1	PC.
303			227248-1	SPUR GEAR 43	1	PC.
304			346251-4	CONNECTING ROD	1	PC.
305			346256-4	HOLDER	1	PC.
306			922241-7	HEX. SOCKET HEAD BOLT M5X25	2	PC.
307			443159-4	SEAL	1	PC.
308			346658-4	PLATE	1	PC.
309			423458-0	GASKET	1	PC.
310			318968-9	UNDER COVER	1	PC.
311			922126-7	HEX. SOCKET HEAD BOLT M4X16	6	PC.
312			332058-4	GUIDE BAR	1	PC.
313			264089-4	HEX. LOCK NUT M6-10	4	PC.
314			346665-7	PLATE	1	PC.
315			725187-4	SHEAR BLADE	1	PC.
316			313211-1	SLEEVE 5	2	PC.
317			725187-4	SHEAR BLADE	1	PC.
318			346665-7	PLATE	1	PC.
319			266824-6	H.S. BUTTON HEAD BOLT M6X20	4	PC.
320			346629-1	END COVER	1	PC.
321			266075-1	HEX. SOCKET HEAD BOLT M5X6	1	PC.
322			454672-7	BLADE GUARD	1	PC.
323			915211-3	BINDING HEAD SCREW M5X12	4	PC.
324			135668-4	SHORT BLOCK ASS'Y 25.4CC	1	PC.
		INC.		Item No. 85-88,108-110,112-116,138,140,143, 144,147.149,153,154		

Item No.	Type	Sub	Part No.	Description	Qty	Unit
<u>ACCESSORIES</u>			- Visit www.makita.ca for more accessories information -			
A02			454279-9	BLADE COVER	1	PC.
A03			782233-6	BOX DRIVER 10-16	1	PC.
A04			783223-2	HEX. WRENCH 4	1	PC.
A05			831304-7	ACCESSORY BAG	1	PC.
A06			125516-5	BAND ASSEMBLY (SHOULDER HARNESS)	1	PC.
A07			135780-0	HEDGE TRIMMER HEAD ASSY	1	PC.
		INC.		Item No. 251-323		
A08			197680-2	ENGINE MAINTENANCE KIT F/EH026	1	PC.